

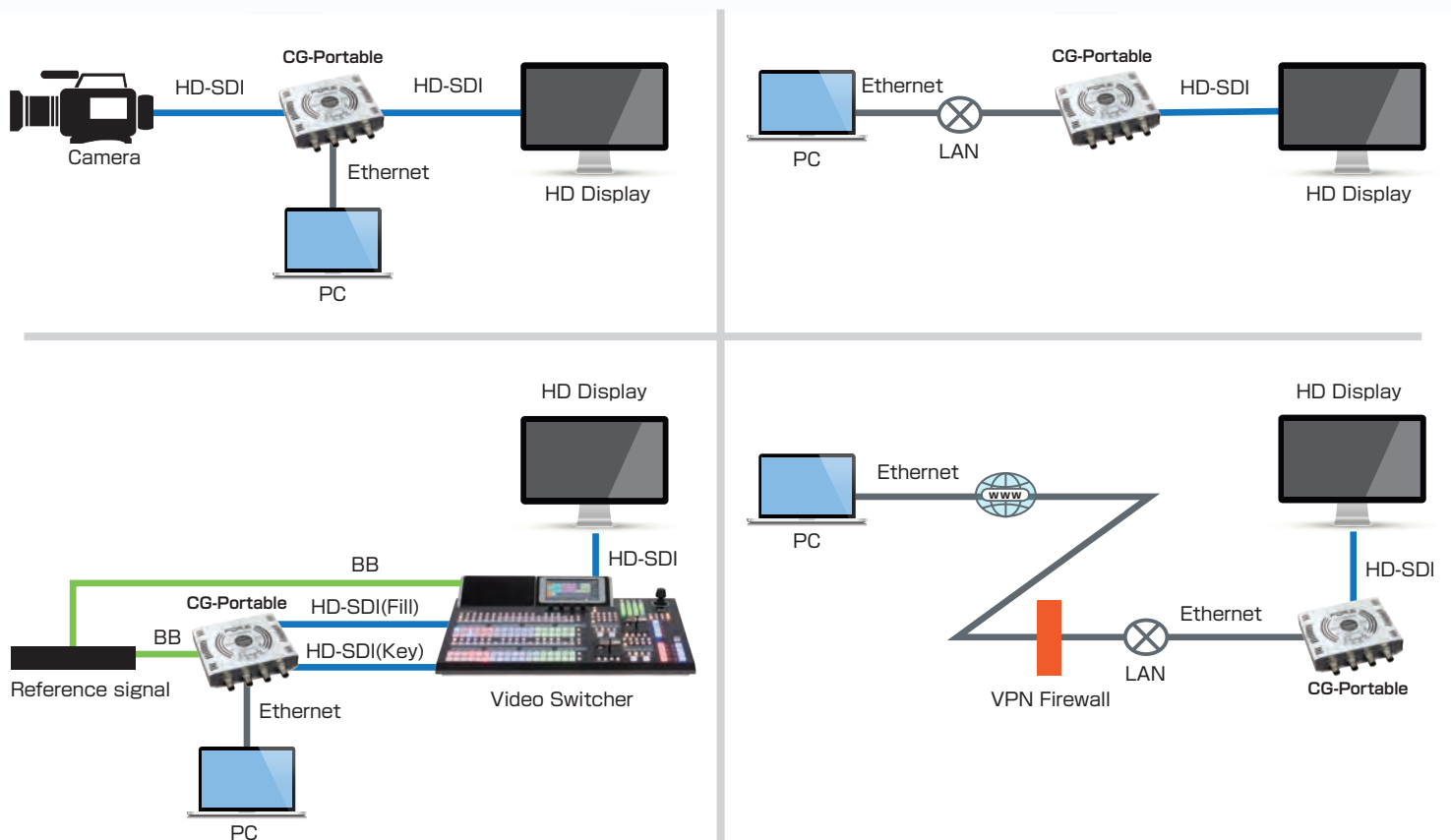
CG/CHARACTER GENERATOR **CG-PORTABLE**

Compact and cost-efficient character generator



- Easy setup and control via Web-GUI to quickly get captions up and running
- Fill and key mixing over live background video or uploaded graphics
- Two independent text overlays support horizontal crawl and vertical crawl roll
- Independent multi-lingual support for text overlay
- Static and animated logo insertion
- Timer overlay with up/down count
- Over 70 frames or of graphic playback buffer
- Ideal for a range of signage applications
- CG software developed by Brainstorm

Examples of use





FOR.A[®]
 INNOVATIONS IN VIDEO
 and AUDIO TECHNOLOGY
 Head Office: 3-8-1 Ebisu, Shibuya-ku, Tokyo 150-0013, Japan

FOR-A Corporation of America Corporate Office/ Service Center: Tel: +1 714-894-3311
 11155 Knott Ave., Suite G, H & I, Cypress, CA 90630, U.S.A.

FOR-A Corporation of America Northeast Office: Tel: +1 973-220-847
 1360 Clifton Ave., Clifton, NJ 07012, U.S.A.

FOR-A Corporation of America Support Center: Tel: +1 352-371-1505
 2400 N.E. Waldo Road, Gainesville, FL 32609, U.S.A.

FOR-A Latin America and the Caribbean Miami Office: Tel: +1 657-600-5759

FOR-A Latin America and the Caribbean Sao Paulo Office: Tel: +55 11-99913-3751

FOR-A Europe S.r.l.: Tel: +39 039-916-4811
 Via Volturmo, 37, 20861 Brugherio MB, Italy

FOR-A UK Limited: Tel: +44 (0)20-3044-2935
 Trident Court, 1 Oakcroft Road, Chessington, KT9 1BD, UK

ISO 9001 and 14001 certified
 (Sakura R&D)
www.for-a.com

FOR-A Italia S.r.l.: Tel: +39 039-881-086/103
 Via Volturmo, 37, 20861, Brugherio MB, Italy

FOR-A Corporation of Korea: Tel: +82 (0)2-2637-0761
 1007, 57-5, Yangsan-ro, Yeongdeungpo-gu, Seoul 150-103, Korea

FOR-A China Limited: Tel: +86 (0)10-8721-6023
 1618 Huateng Building, No. 302, 3 District, Jinsong, Chaoyang, Beijing 100021, China

FOR-A Middle East-Africa Office: Tel: +971 (0)4-551-5830
 Dubai Media City, Aurora Tower, Office 1407, P.O. Box 502688, Dubai, UAE

FOR-A India Private Limited: Tel: +91 22-2673-3623
 2nd Floor, Valecha Chambers, Link Road, Andheri (W), Mumbai 400053, India

FOR-A South East Asia Office: Tel: +852 2110-1352
 Studio 09, Rm. A1, 3/F., Phase 1, Hang Fung Ind. Bldg., 2G Hok Yuen St., Hung Hom, Hong Kong